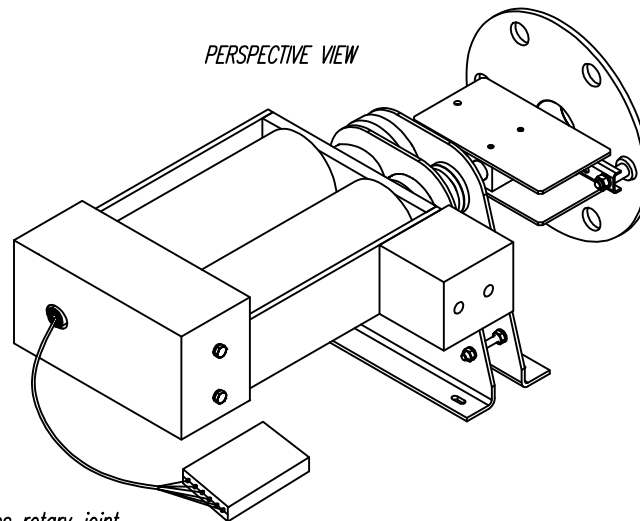
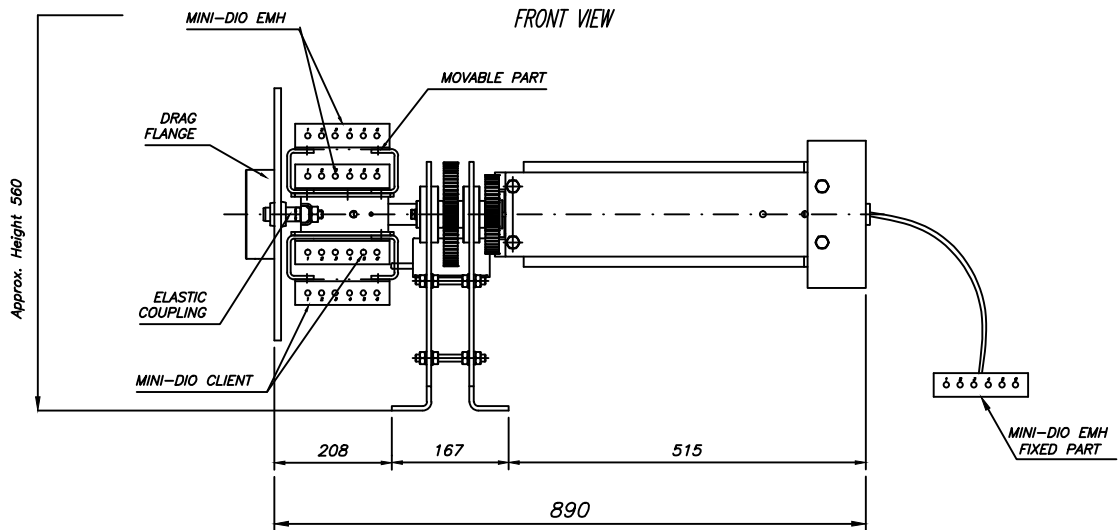


ROTARY JOINT

SÉRIE URFO



TECHNICAL DATA:

- Classification: Fiber optics rotary joint.
- Operation: through the external drive, coupled to a drag flange.
- Main Application: Fiber Optics Cable Reels.
- ST type connectors - other connectors under order.
- Number for loops: 70

MODEL	QUANTITY OF FIBERS	FIBER TYPE
URFO-G2-SM6-70	06	SINGLEMODE
URFO-G2-SM8-70	08	SINGLEMODE
URFO-G2-SM12-70	12	SINGLEMODE
URFO-G2-MM6-70-50	06	MULTIMODE Ø50/125µm
URFO-G2-MM8-70-50	08	MULTIMODE Ø50/125µm
URFO-G2-MM12-70-50	12	MULTIMODE Ø50/125µm
URFO-G2-MM6-70-62	06	MULTIMODE Ø62,5/125µm
URFO-G2-MM8-70-62	08	MULTIMODE Ø62,5/125µm
URFO-G2-MM12-70-62	12	MULTIMODE Ø62,5/125µm